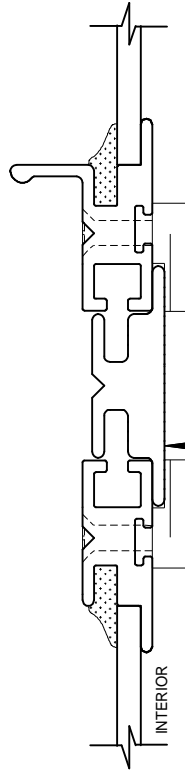


AOL FRAMING
(D-42 NESTED IN D-42)

INTERIOR

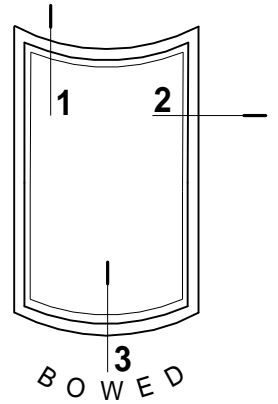
1 HEAD DETAIL
SCALE: FULL



AOL FRAMING
(T-9)

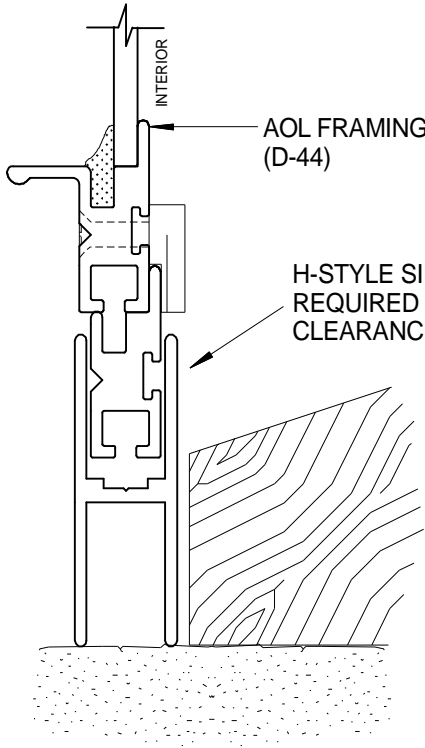
INTERIOR

4 MUNTIN DETAIL
SCALE: FULL



BOWED

AOL-A

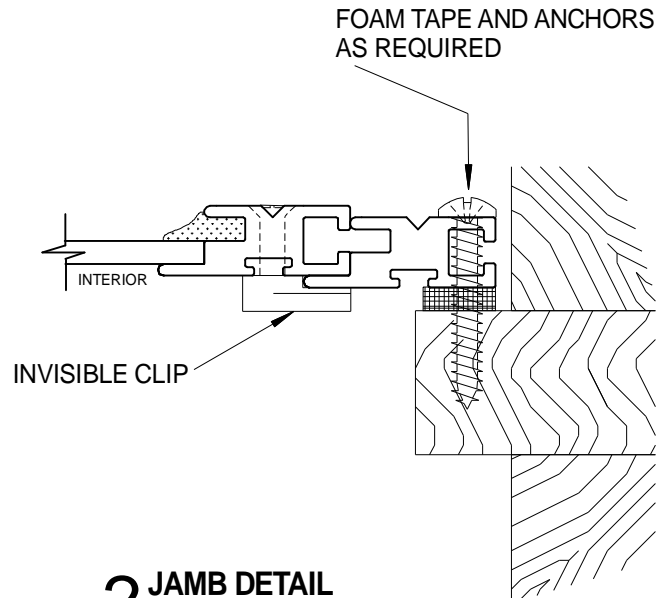


AOL FRAMING
(D-44)

INTERIOR

H-STYLE SILL EXPANDER
REQUIRED FOR CLIP
CLEARANCE AT DROP SILL

3 SILL DETAIL
SCALE: FULL

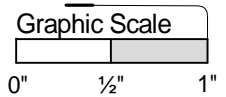


FOAM TAPE AND ANCHORS
AS REQUIRED

INTERIOR

INVISIBLE CLIP

2 JAMB DETAIL
SCALE: FULL

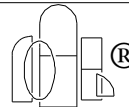


NOTE: INTERCHANGEABLE SCREEN AVAILABLE

PRODUCT
ALLIED ONE LITE • AOL-A
REMOVABLE PANELS with INVISIBLE CLIPS

DWG. NO.

A-2f



Allied Window
Performance Panels®

11111 CANAL ROAD • CINCINNATI, OH 45241 • PH: 800-445-5411, 513-559-1212 • FAX: 513-559-1883 • www.alliedwindow.com • info@alliedwindow.com