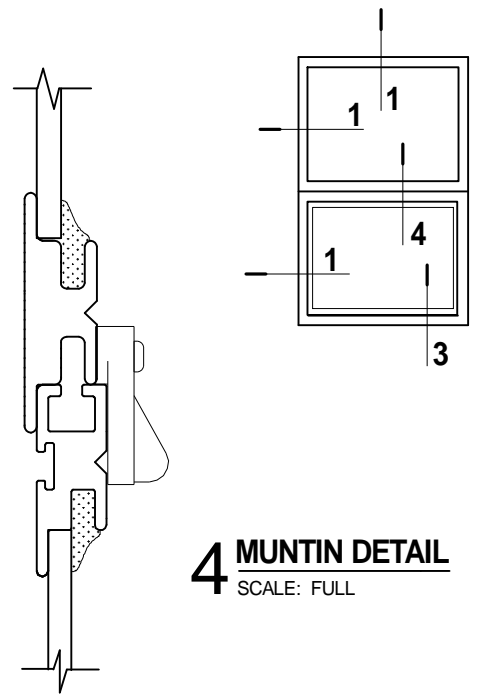
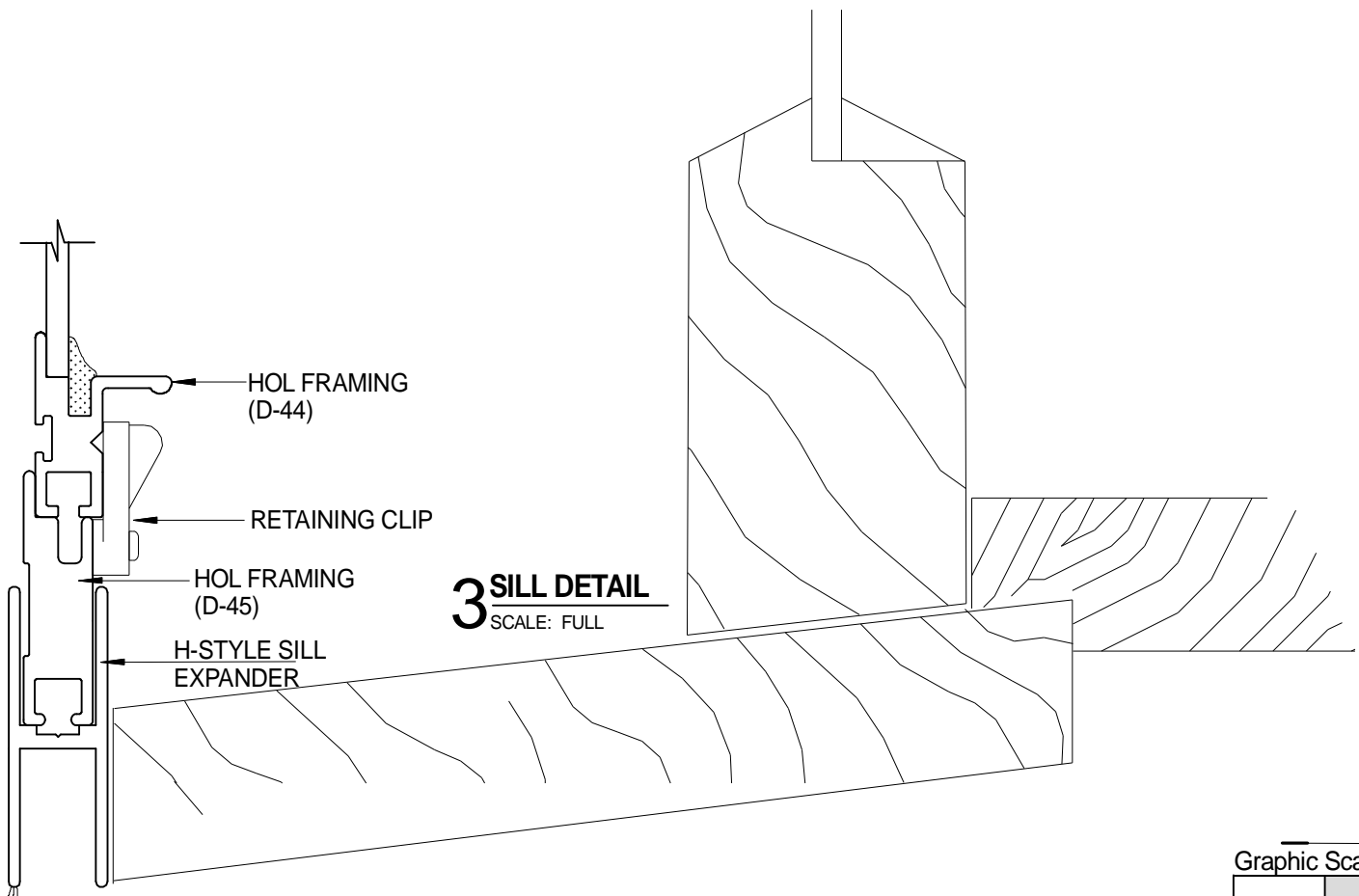


1 HEAD & JAMB DETAIL

SCALE: FULL
JAMB SIMILAR

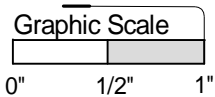


4 MUNTIN DETAIL
SCALE: FULL



3 SILL DETAIL
SCALE: FULL

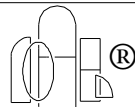
NOTE: INTERCHANGEABLE SCREEN AVAILABLE



PRODUCT
HISTORIC ONE LITE • HOL-B
EASTERN STYLE CASING (overlap)

DWG. NO.

H-2-3



Allied Window
Performance Panels®

11111 CANAL ROAD • CINCINNATI, OH 45241 • PH: 800-445-5411, 513-559-1212 • FAX: 513-559-1883 • www.alliedwindow.com • info@alliedwindow.com