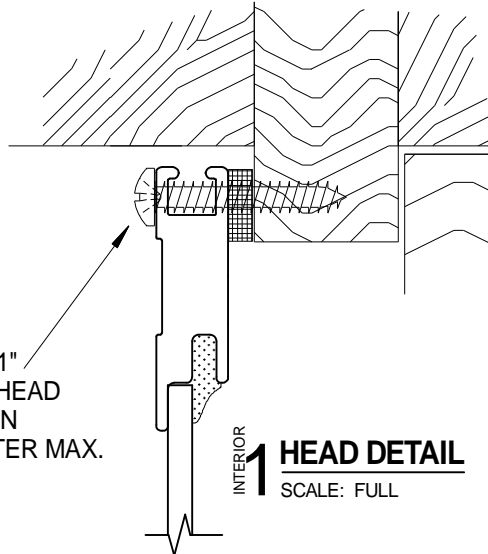
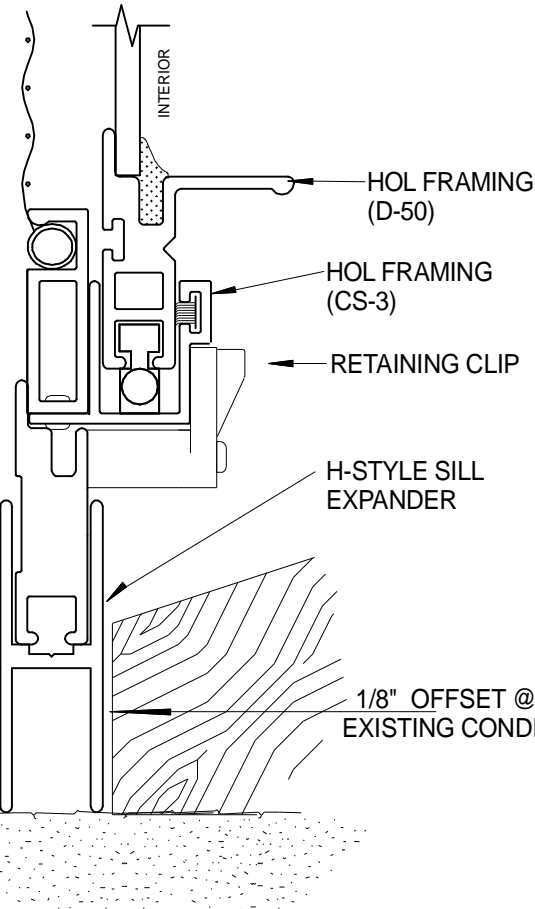
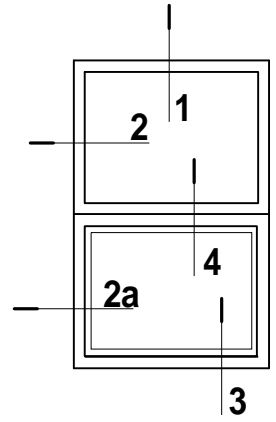


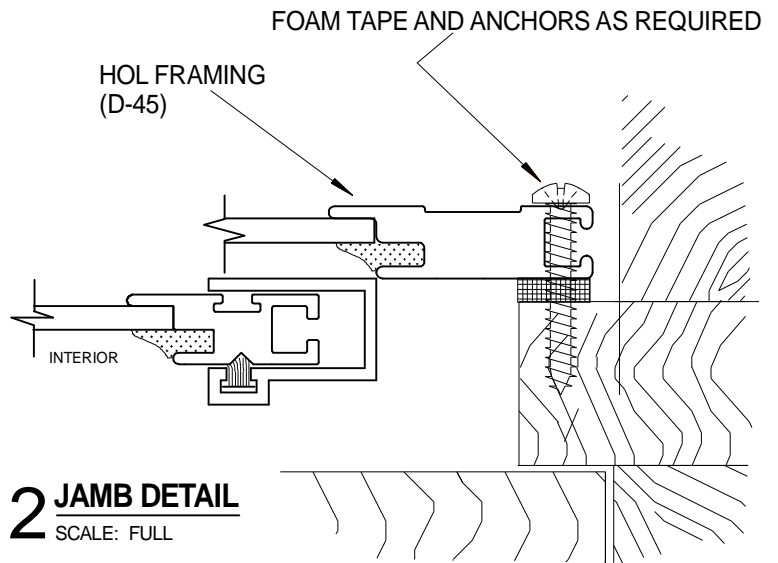
4 MEETING RAIL DETAIL
 SCALE: FULL



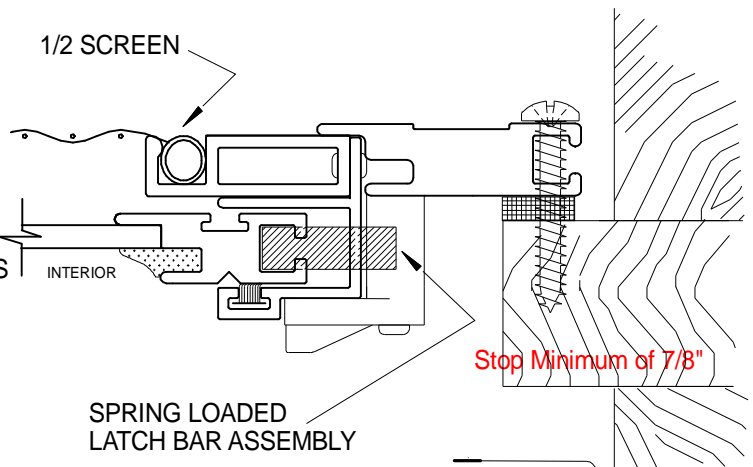
1 HEAD DETAIL
 SCALE: FULL



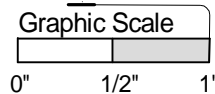
3 SILL DETAIL
 SCALE: FULL



2 JAMB DETAIL
 SCALE: FULL



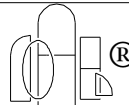
2a JAMB DETAIL
 SCALE: FULL



PRODUCT
 HISTORIC ONE LITE - OPERATING • HOL-OP
 WITH SCREEN

DWG. NO.

H-6-1



Allied Window
 Performance Panels®

11111 CANAL ROAD • CINCINNATI, OH 45241 • PH: 800-445-5411, 513-559-1212 • FAX: 513-559-1883 • www.alliedwindow.com • info@alliedwindow.com