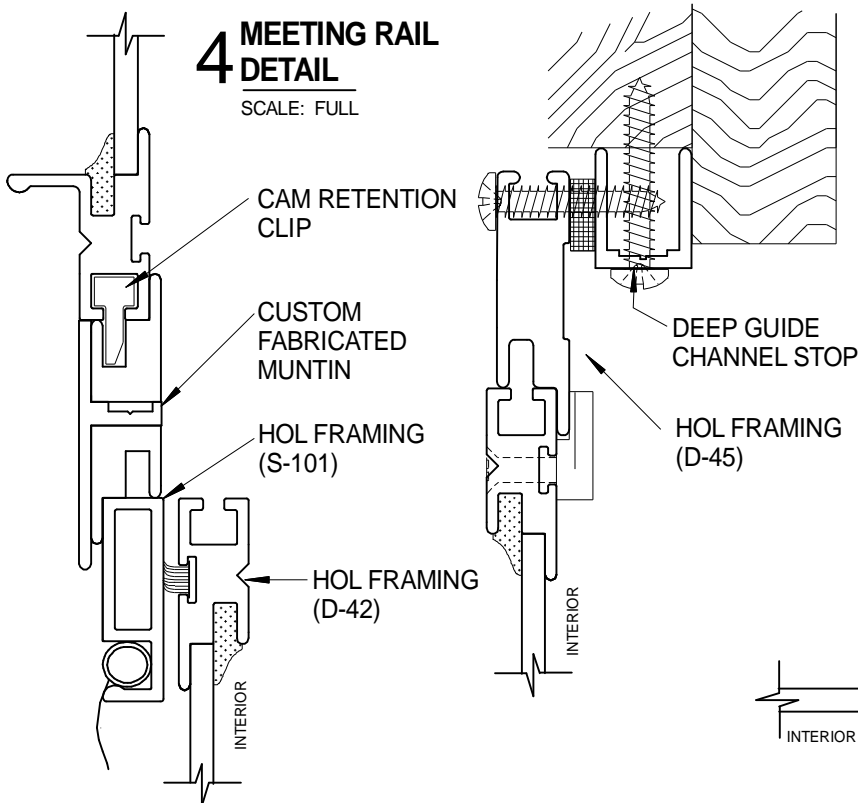


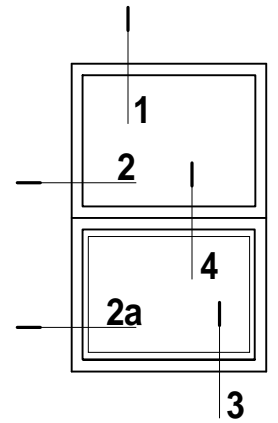
#### 4 MEETING RAIL DETAIL

SCALE: FULL

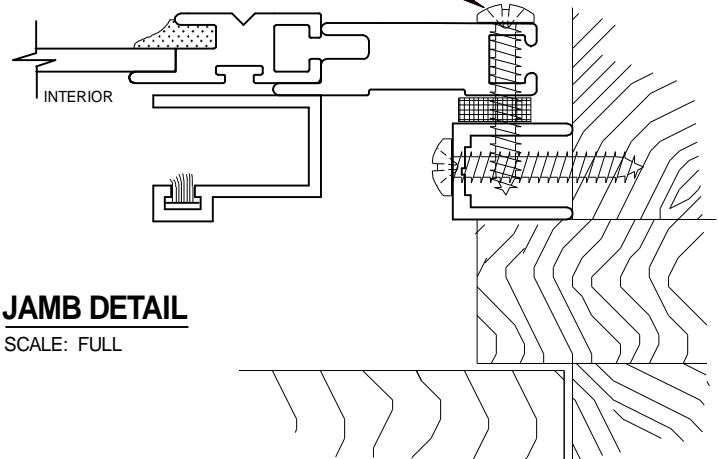


#### 1 HEAD DETAIL

SCALE: FULL

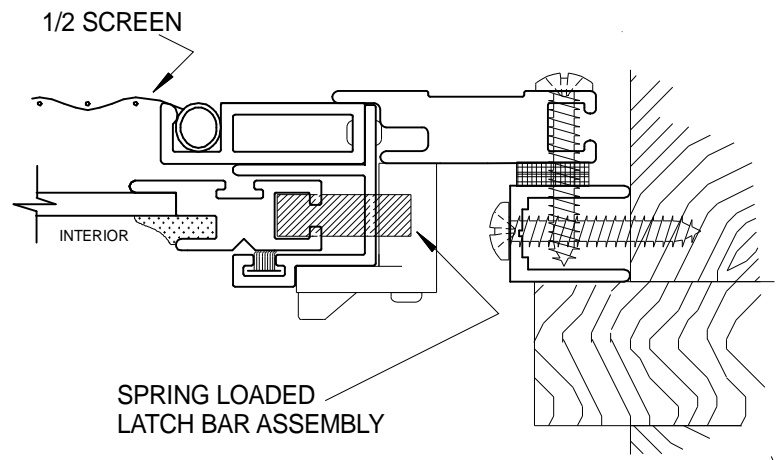
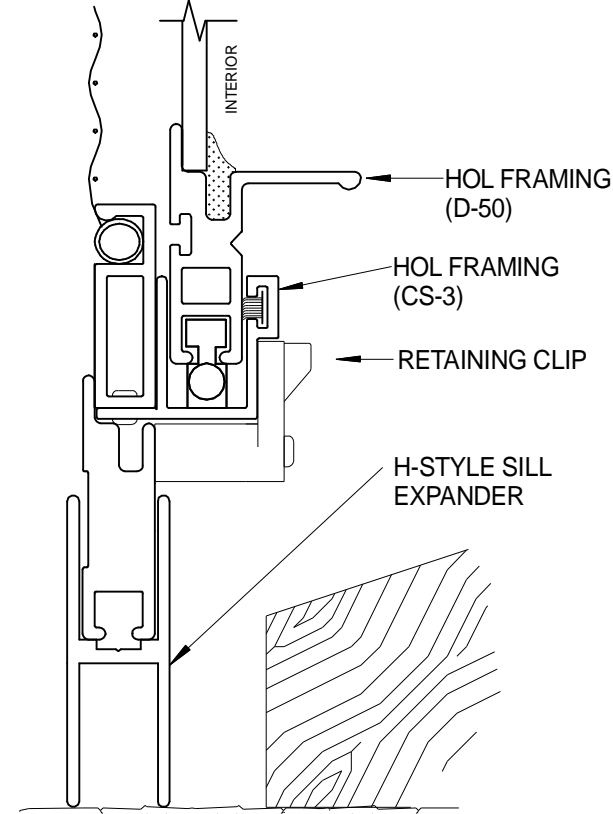


FOAM TAPE AND ANCHORS  
AS REQUIRED



#### 2 JAMB DETAIL

SCALE: FULL



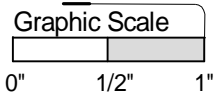
SPRING LOADED  
LATCH BAR ASSEMBLY

#### 2a JAMB DETAIL

SCALE: FULL

#### 3 SILL DETAIL

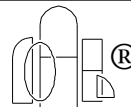
SCALE: FULL



PRODUCT  
HISTORIC ONE LITE - OPERATING • HOL-OP-TOR  
TOP OUTSIDE REMOVABLE INVISIBLE CLIPS  
WITH SCREEN  
11111 CANAL ROAD • CINCINNATI, OH 45241 • PH: 800-445-5411, 513-559-1212 • FAX: 513-559-1883 • www.alliedwindow.com • info@alliedwindow.com

DWG. NO.

H-7a



**Allied Window**  
Performance Panels®