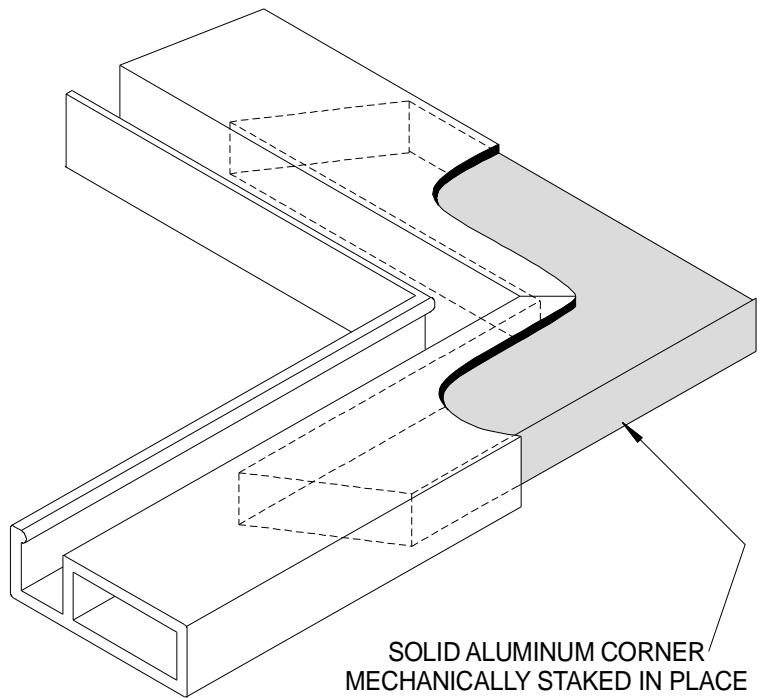


1 JAMB DETAIL
 SCALE: FULL
 HEAD and SILL SIMILAR

STAINLESS STEEL
 LEAF-TENSION SPRING
 HOOKED INTO CUSTOM
 NOTCHED FRAME SECTION

SPRING DETAIL

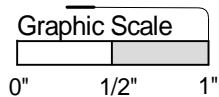


SOLID ALUMINUM CORNER
 MECHANICALLY STAKED IN PLACE

CORNER DETAIL

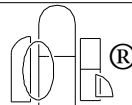
STAINLESS STEEL HANDLE
 RIVETED IN PLACE

HANDLE DETAIL



PRODUCT
 SCREEN
 S-101 FRAMING

DWG. NO.
1-2



Allied Window
 Performance Panels®

11111 CANAL ROAD • CINCINNATI, OH 45241 • PH: 800-445-5411, 513-559-1212 • FAX: 513-559-1883 • www.alliedwindow.com • info@alliedwindow.com