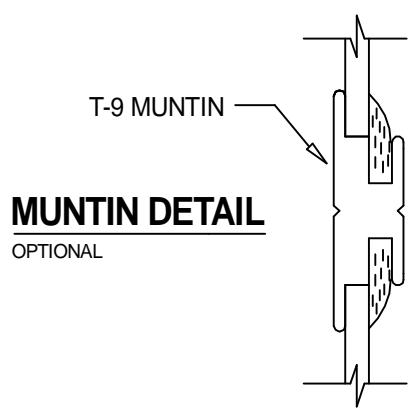
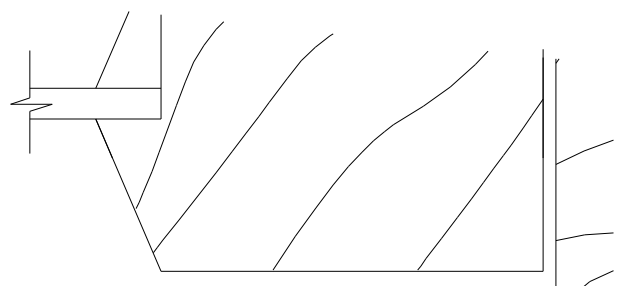


1 HEAD DETAIL
SCALE: FULL



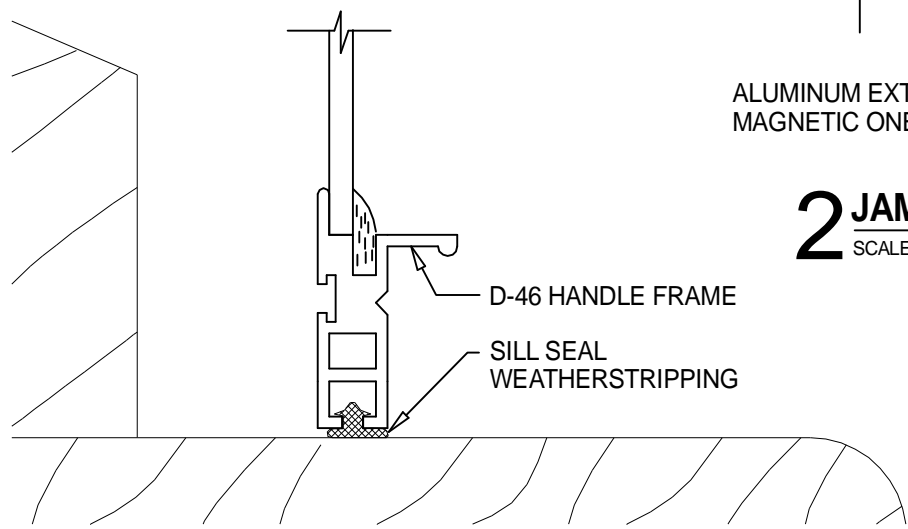
MUNTIN DETAIL
OPTIONAL



DEEP GUIDE
STEEL TAPE
MAGNETIC SEAL TAPE

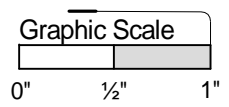
ALUMINUM EXTRUSION
MAGNETIC ONE LITE • MOL

2 JAMB DETAIL
SCALE: FULL



D-46 HANDLE FRAME
SILL SEAL
WEATHERSTRIPPING

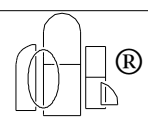
3 SILL DETAIL
SCALE: FULL



NOTE: MAGNETIC SCREEN AVAILABLE

PRODUCT
MAGNETIC ONE LITE • MOL
MOUNT TO CHANNEL W / MUNTIN

DWG. NO.
M-2



Allied Window
Performance Panels®

11111 CANAL ROAD • CINCINNATI, OH 45241 • PH: 800-445-5411, 513-559-1212 • FAX: 513-559-1883 • www.alliedwindow.com • info@alliedwindow.com