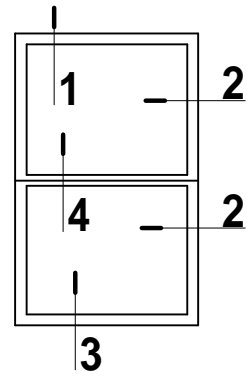
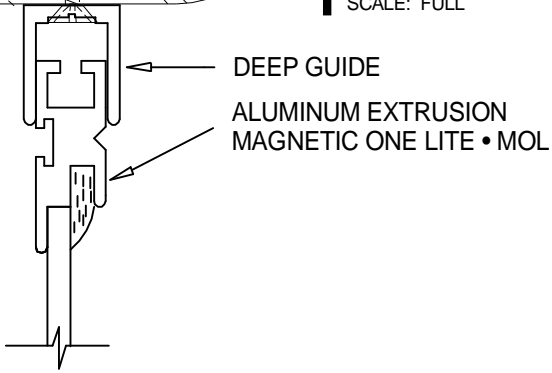


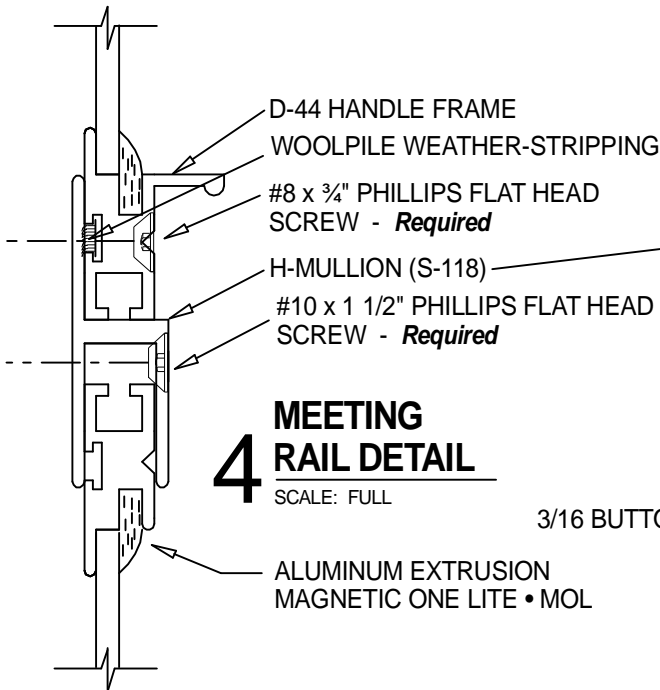
# 1 HEAD DETAIL

SCALE: FULL



MACHINE BOLT AND LOCKNUT

1/2" X 3/4" Alum. Angle



# 4 MEETING RAIL DETAIL

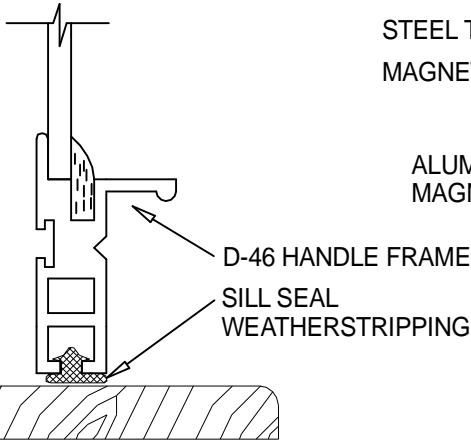
SCALE: FULL

3/16 BUTTON CAP SCREW

ISOMETRIC VIEW  
(not to scale)

STEEL TAPE  
MAGNETIC SEAL TAPE

ALUMINUM EXTRUSION  
MAGNETIC ONE LITE • MOL

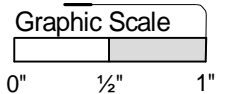


# 3 SILL DETAIL

SCALE: FULL

# 2 JAMB DETAIL

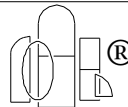
SCALE: FULL



MAGNETIC ONE LITE, STACKED • MOL-ST  
PERMANENT MULLION - NESTED IN ANGLE

DWG. NO.

**M-3-N**



**Allied Window**  
Performance Panels®

11111 CANAL ROAD • CINCINNATI, OH 45241 • PH: 800-445-5411, 513-559-1212 • FAX: 513-559-1883 • www.alliedwindow.com • info@alliedwindow.com