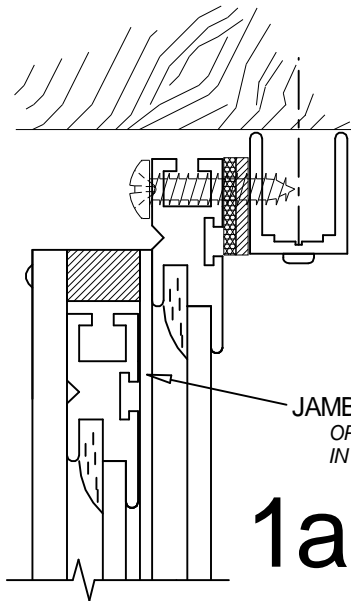
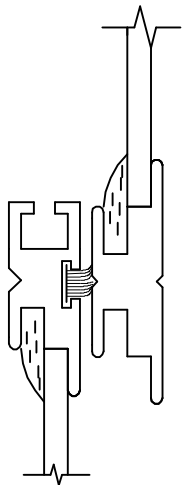
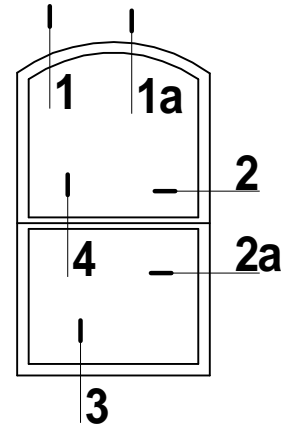


1 HEAD DETAIL
SCALE: FULL

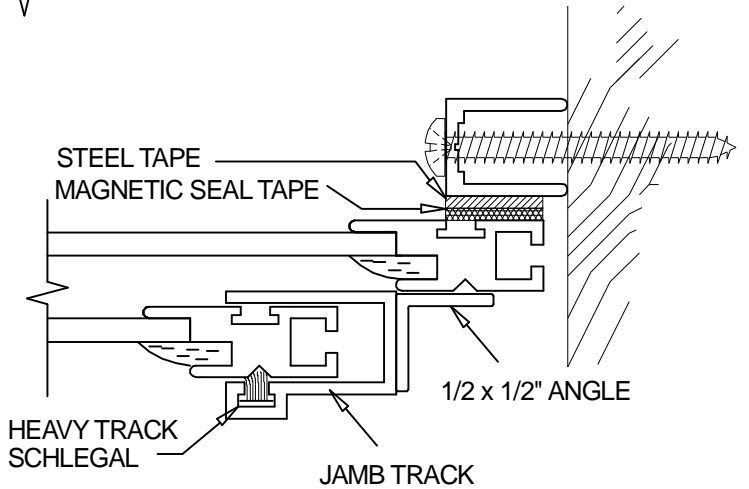


1a HEAD DETAIL
SCALE: FULL

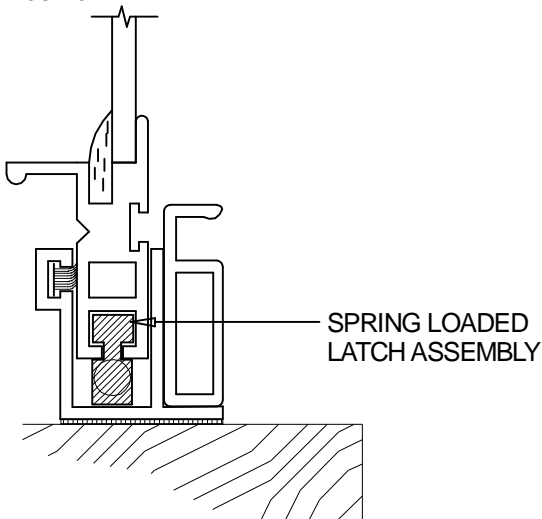


4 MEETING RAIL DETAIL
SCALE: FULL

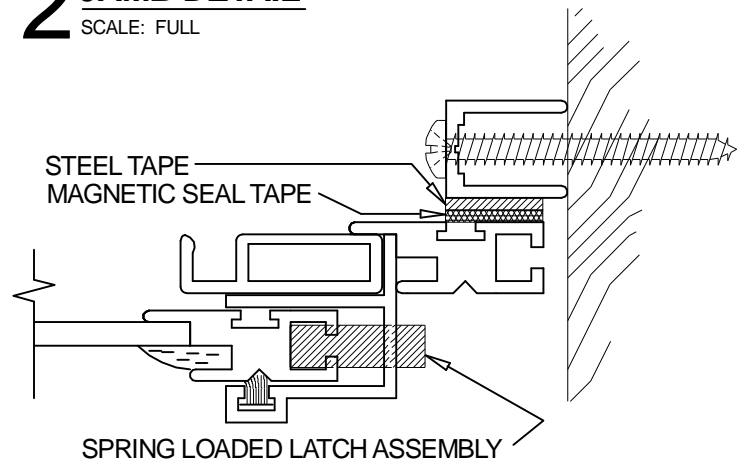
OPERATING SASH
SHOWN IN FULLY
CLOSED POSITION



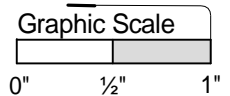
2 JAMB DETAIL
SCALE: FULL



3 SILL DETAIL
SCALE: FULL



2a JAMB DETAIL
SCALE: FULL



PRODUCT
MAGNETIC ONE LITE, OPERATING MOL-OP
(NO SCREEN) SHAPE

DWG. NO.

M-4-S

Allied Window
Performance Panels®

11111 CANAL ROAD • CINCINNATI, OH 45241 • PH: 800-445-5411, 513-559-1212 • FAX: 513-559-1883 • www.alliedwindow.com • info@alliedwindow.com

1/28/15 Master Copy