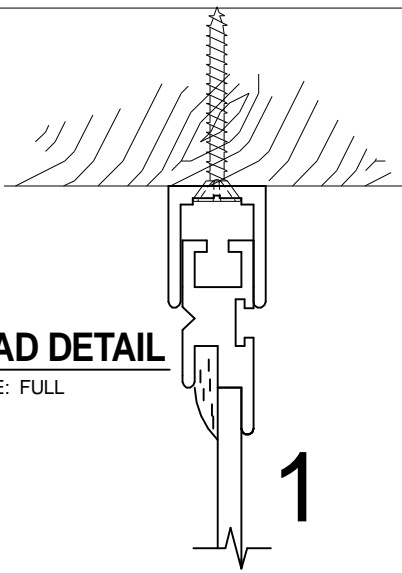
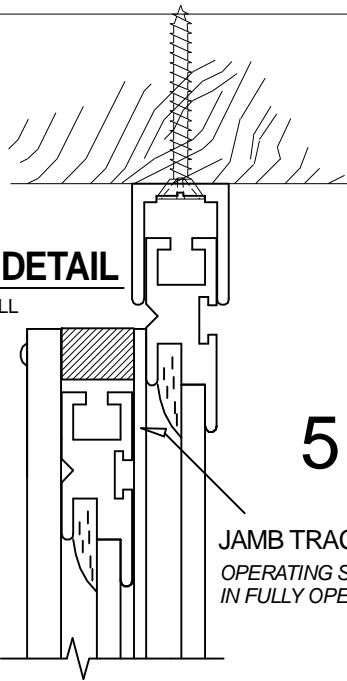


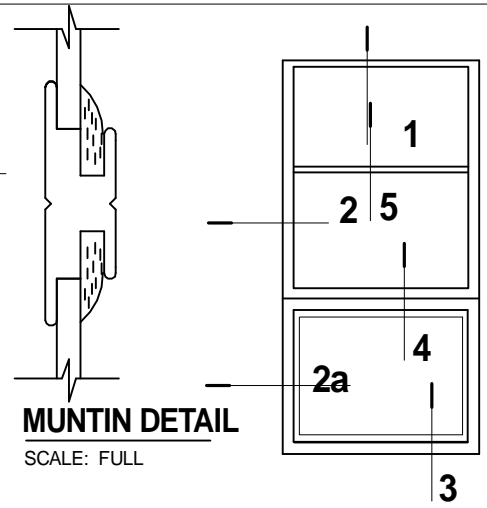
HEAD DETAIL
SCALE: FULL



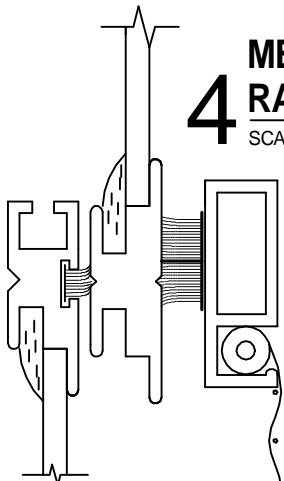
1a HEAD DETAIL
SCALE: FULL



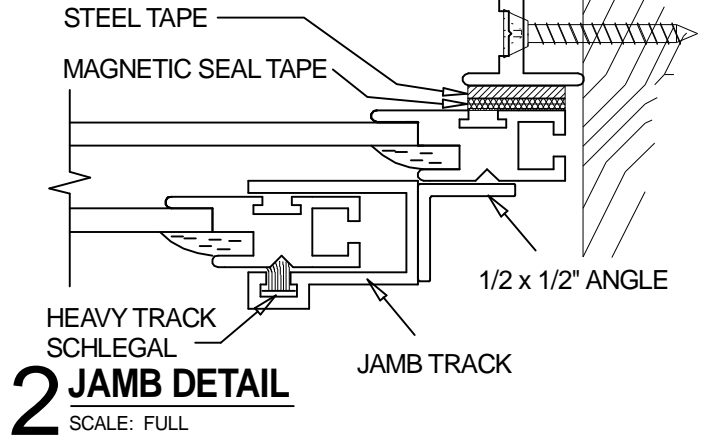
5 MUNTIN DETAIL
SCALE: FULL



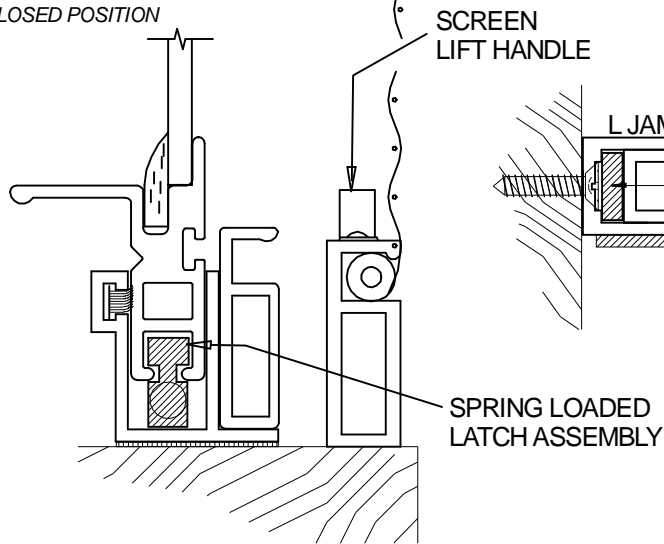
4 MEETING RAIL DETAIL
SCALE: FULL



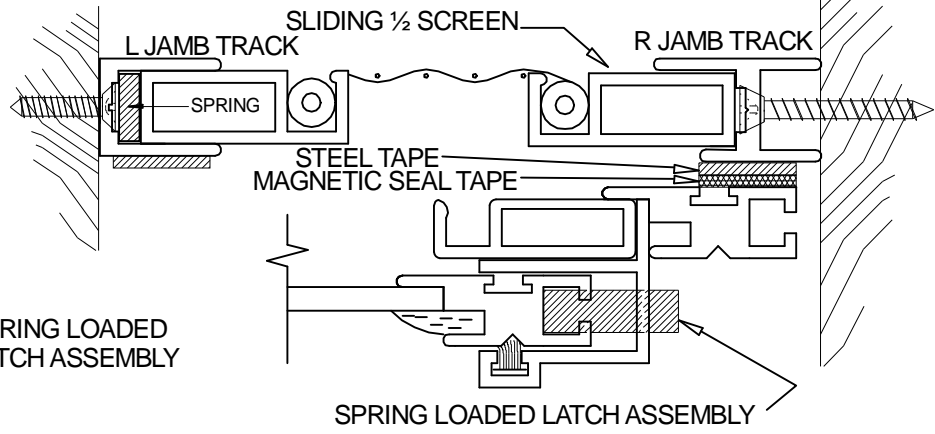
OPERATING SASH SHOWN IN FULLY CLOSED POSITION



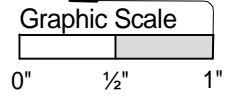
2 JAMB DETAIL
SCALE: FULL



3 SILL DETAIL
SCALE: FULL



2a JAMB DETAIL
SCALE: FULL



PRODUCT
MAGNETIC ONE LITE, 1/3RD OPERATING MOL-OP WITH SCREEN D-50 HANDLE

DWG. NO.
M-5-1/3rd

Allied Window
Performance Panels®

11111 CANAL ROAD • CINCINNATI, OH 45241 • PH: 800-445-5411, 513-559-1212 • FAX: 513-559-1883 • www.alliedwindow.com • info@alliedwindow.com