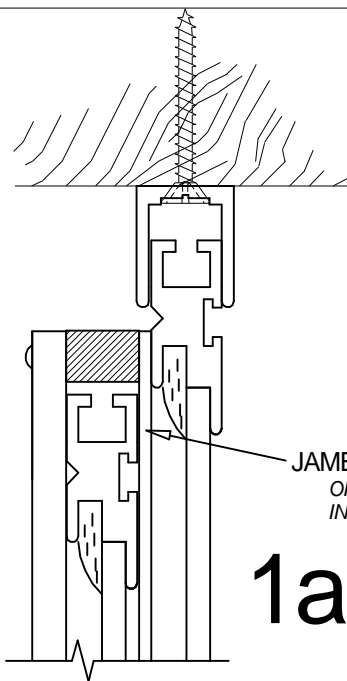
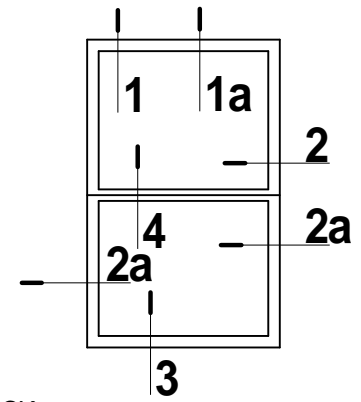


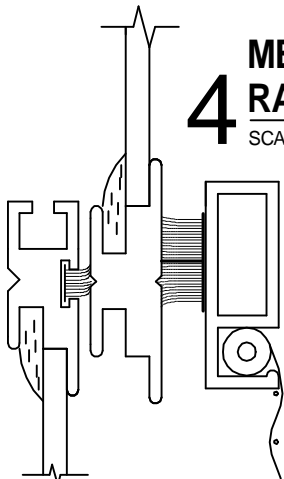
**1 HEAD DETAIL**  
SCALE: FULL



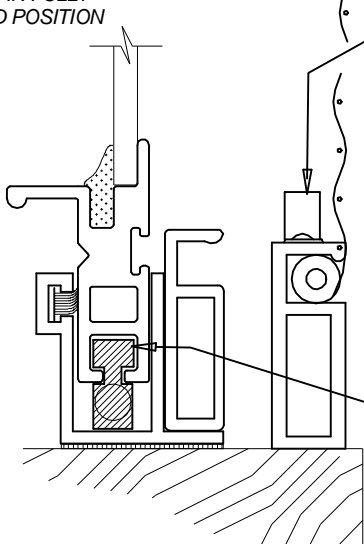
**1a HEAD DETAIL**  
SCALE: FULL



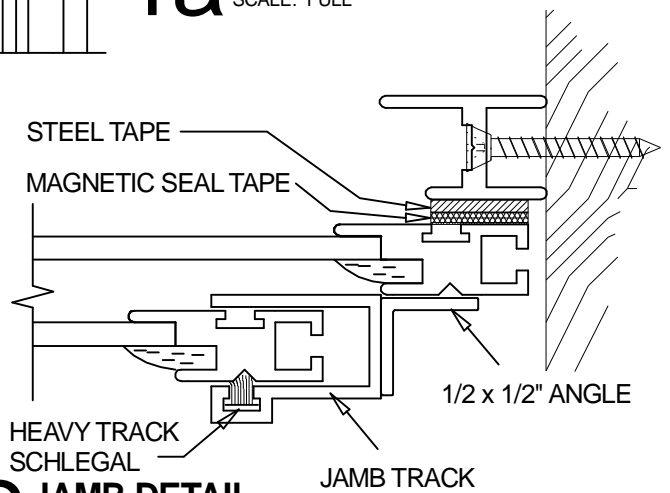
**4 MEETING RAIL DETAIL**  
SCALE: FULL



OPERATING SASH SHOWN IN FULLY CLOSED POSITION

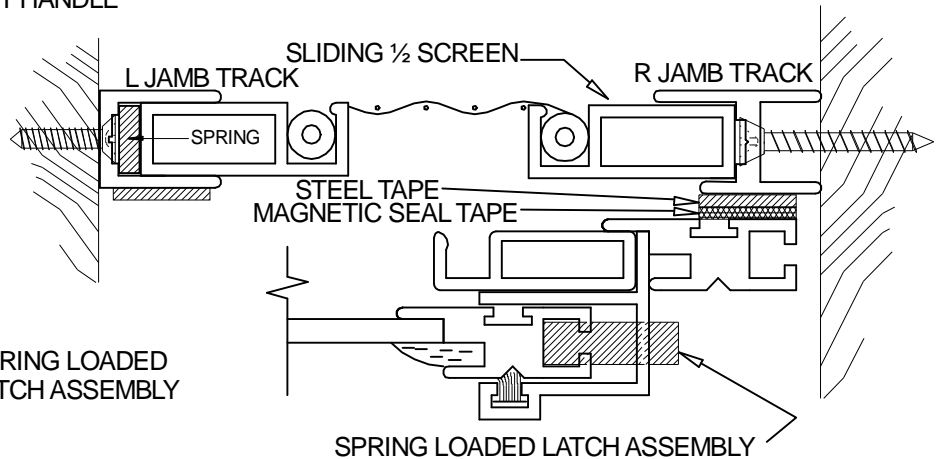


**3 SILL DETAIL**  
SCALE: FULL

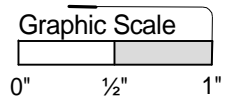


**2 JAMB DETAIL**  
SCALE: FULL

SCREEN LIFT HANDLE



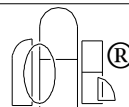
**2a JAMB DETAIL**  
SCALE: FULL



PRODUCT  
MAGNETIC ONE LITE, OPERATING MOL-OP  
WITH SCREEN D-46 HANDLE

DWG. NO.

**M-5**



**Allied Window**  
Performance Panels®

11111 CANAL ROAD • CINCINNATI, OH 45241 • PH: 800-445-5411, 513-559-1212 • FAX: 513-559-1883 • www.alliedwindow.com • info@alliedwindow.com