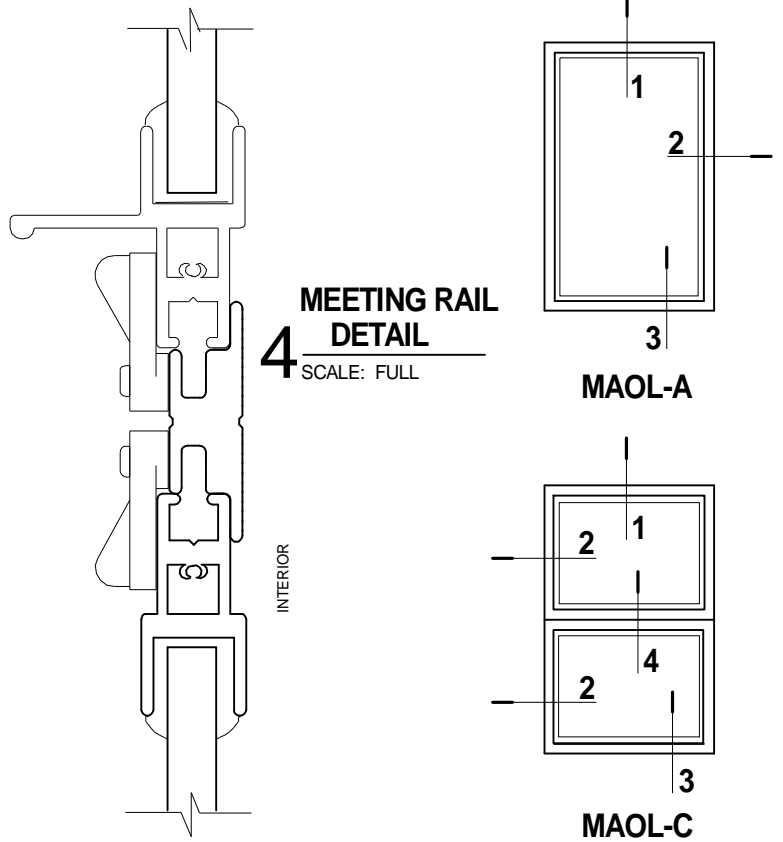
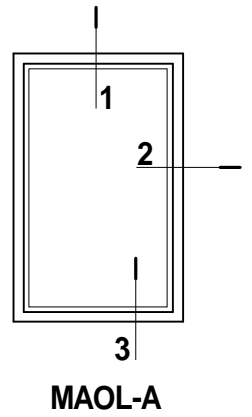


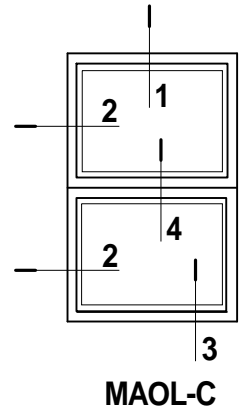
**1 HEAD DETAIL**  
SCALE: FULL



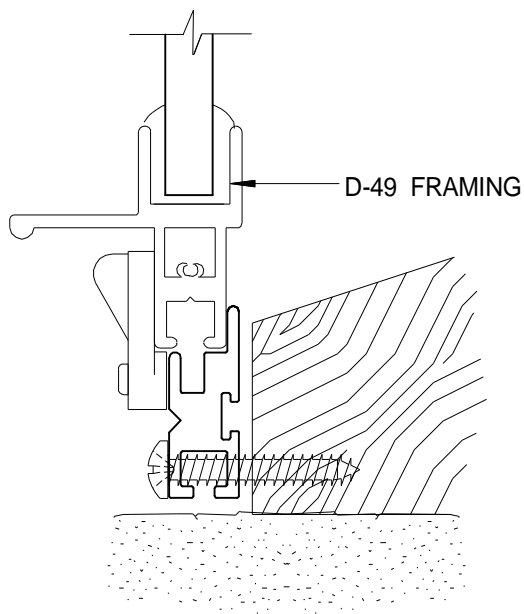
**4 MEETING RAIL DETAIL**  
SCALE: FULL



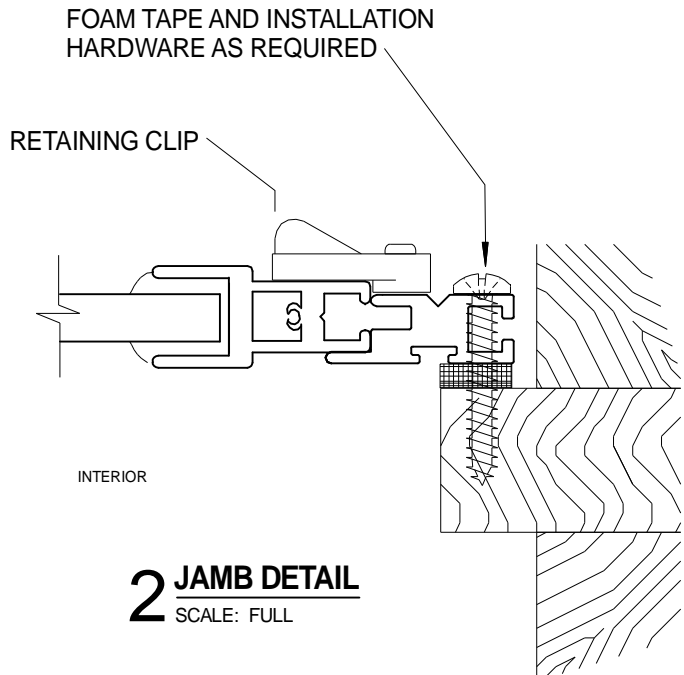
**MAOL-A**



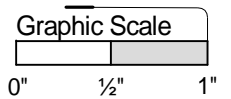
**MAOL-C**



**3 SILL DETAIL**  
SCALE: FULL



**2 JAMB DETAIL**  
SCALE: FULL

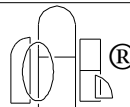


NOTE: INTERCHANGEABLE SCREEN AVAILABLE

PRODUCT  
MONUMENTAL ALLIED ONE LITE • MAOL-A/C  
REMOVABLE PANELS -STANDARD CLIP

DWG. NO.

**MAOL**



**Allied Window**  
Performance Panels®

11111 CANAL ROAD • CINCINNATI, OH 45241 • PH: 800-445-5411, 513-559-1212 • FAX: 513-559-1883 • www.alliedwindow.com • info@alliedwindow.com