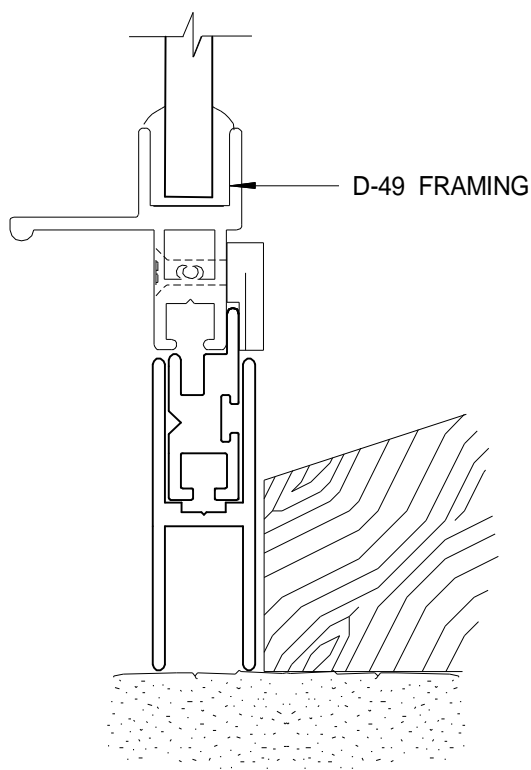
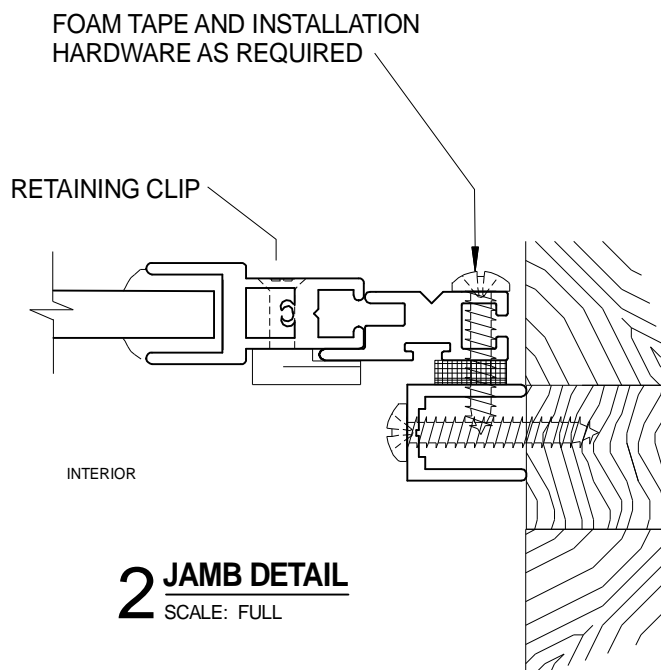


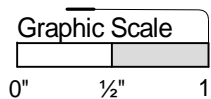
1 HEAD DETAIL
SCALE: FULL



3 SILL DETAIL
SCALE: FULL




2 JAMB DETAIL
SCALE: FULL



NOTE: INTERCHANGEABLE SCREEN AVAILABLE

PRODUCT
MONUMENTAL ALLIED ONE LITE • MAOL-A
REMOVABLE PANELS -INVISIBLE CLIP
MOUNT TO D/G STOP

DWG. NO.

MAOL-I-2  **Allied Window**
Performance Panels®

11111 CANAL ROAD • CINCINNATI, OH 45241 • PH: 800-445-5411, 513-559-1212 • FAX: 513-559-1883 • www.alliedwindow.com • info@alliedwindow.com