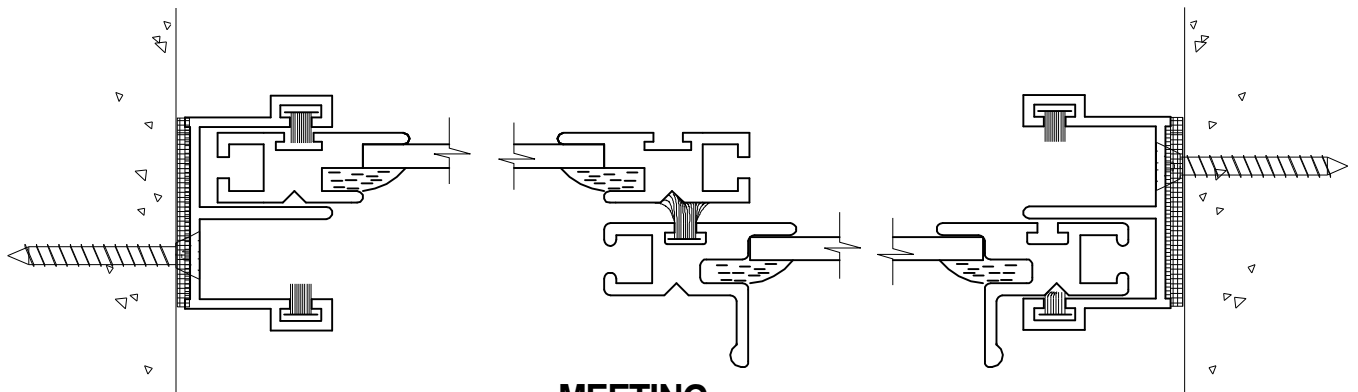
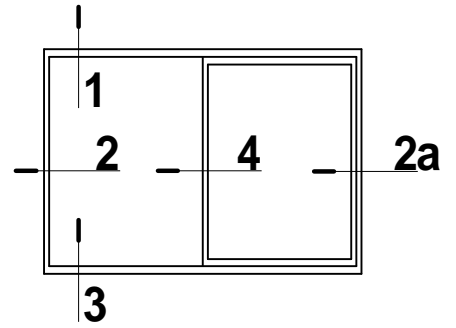


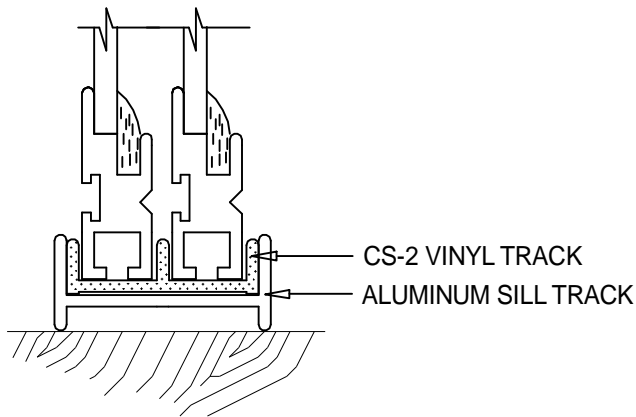
1 HEAD DETAIL
SCALE: FULL



2 JAMB DETAIL
SCALE: FULL

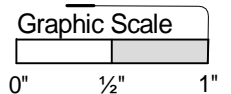
4 MEETING RAIL DETAIL
SCALE: FULL

2a JAMB DETAIL
SCALE: FULL



3 REINFORCED SILL DETAIL
SCALE: FULL

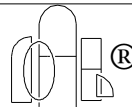
NOTE: INTERCHANGEABLE SCREENS AVAILABLE



PRODUCT
SLIDE - A - WAY • SAW-2
TWO PANELS, EITHER ACTIVE

DWG. NO.

S-2



Allied Window
Performance Panels®

11111 CANAL ROAD • CINCINNATI, OH 45241 • PH: 800-445-5411, 513-559-1212 • FAX: 513-559-1883 • www.alliedwindow.com • info@alliedwindow.com